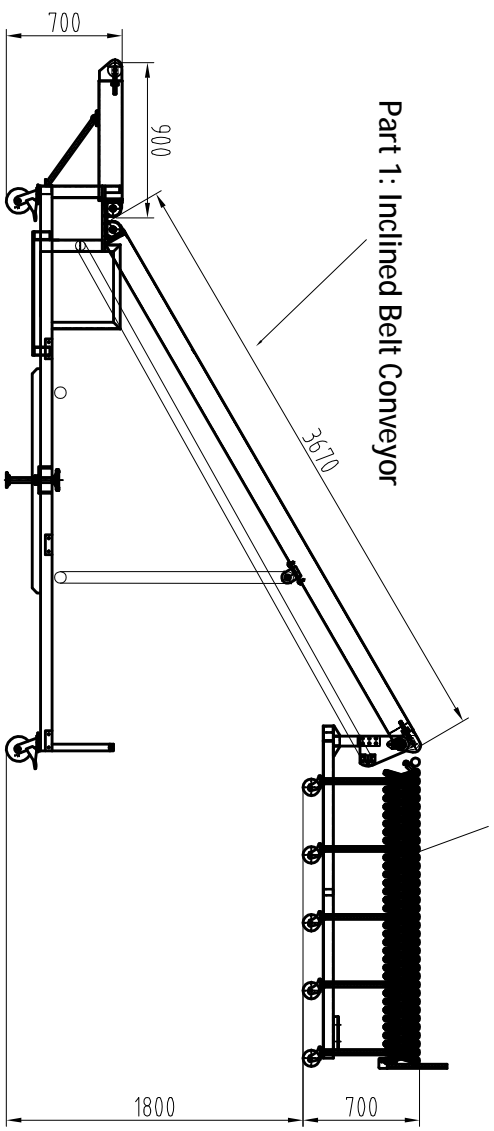
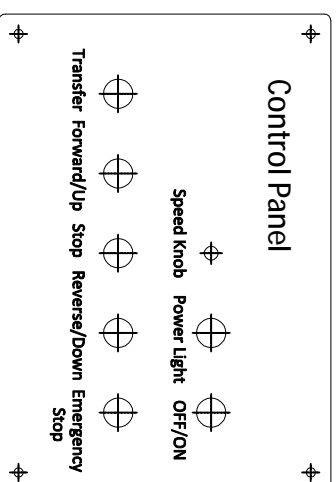
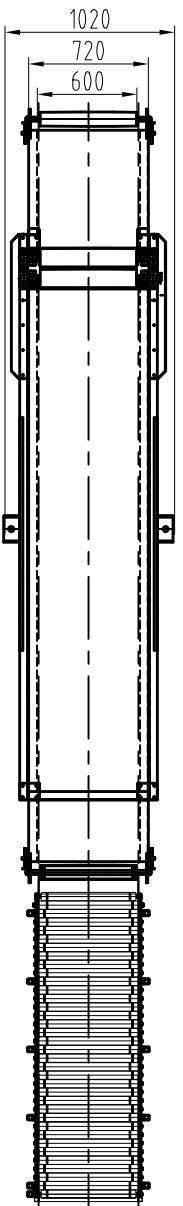
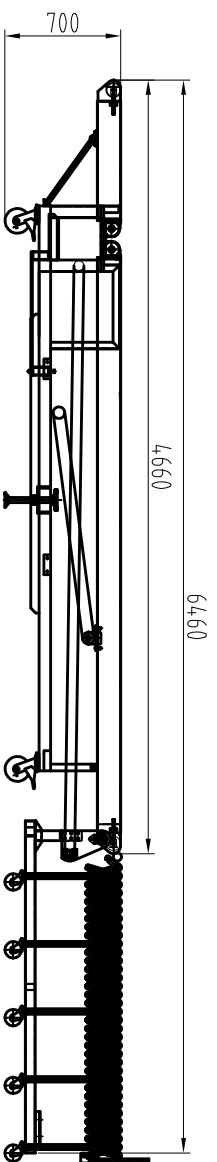


Part 2: 4m Flexible Powered Roller Conveyor



Part 1: Inclined Belt Conveyor



Technical Parameters

Part-1: Inclined Belt Conveyor

1. Belt Specs: W=600, T=5mm, rough top PVC belt
2. Adjustable Speed: 10-20m/min, forward & reverse
3. Adjustable Height: 700-2500mm
4. Load Capacity: 50kg/m
5. Lift Motor: 2.2kw/Belt Motor: 1.5kw
6. Power Supply: 380V, 3-PH, 50Hz or 220V, 1-PH, 50Hz
7. Packing Size: L4700*W950*H700, 3.13CBM, G.W.: 680KGS

Part-2: 4m Flexible Powered Roller Conveyor

1. Rollers: $\Phi 50 \times T 1.5 \times L 600$ mm galvanized steel grooved rollers
2. O-ring Belt: $\Phi 5$ mm, L=275mm, SIEGLING, PU belt
3. Motor: 60w S.T.S motor, one motor per meter
4. Control Panel: Forward/Stop/Reverse, Speed Knob, Emergency Stop
5. Power Supply: from the socket on inclined belt conveyor
6. Adjustable Speed: 10-18m/min, forward & reverse
7. Adjustable Height: 700-1000mm
8. Load Capacity: 40kg/m
9. Minimum carton length when full open: 280mm
10. Packing Size: L2000*W750*H850, 1.3CBM, G.W.: 170KGS

材料				Yifan Conveyor	
标记	数量	分区	更改文件号	签名	年、月、日
设计		日期	标准化		
审核		日期			
工艺		日期			
比例				重量/Kg	数量
共				张	第
				张	张
Truck Loading Conveyor				Model: TLC-P600	