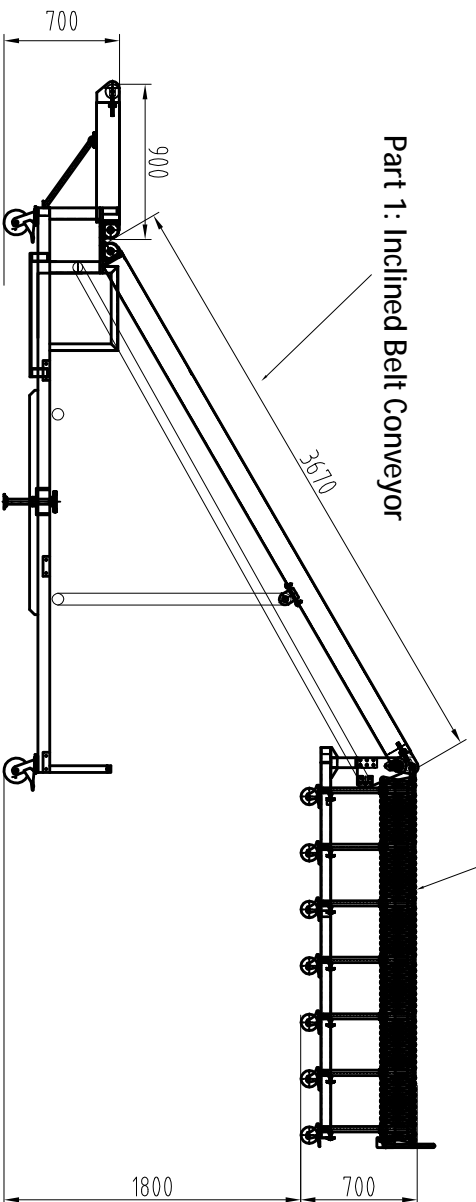
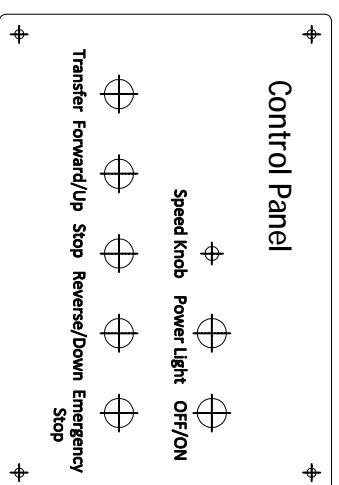
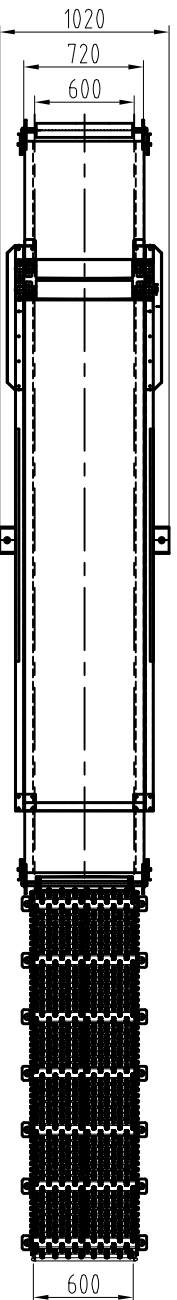
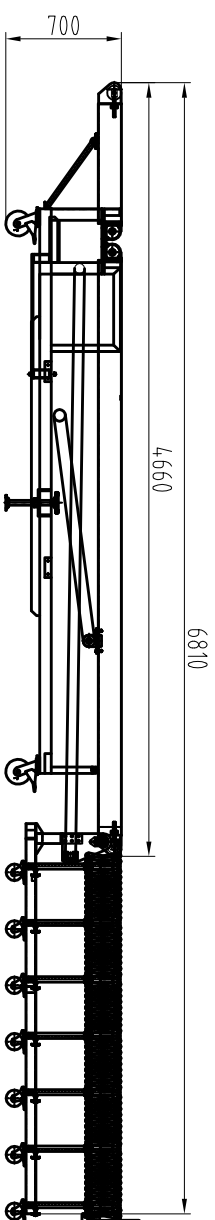


Part 2: 6m Flexible Gravity Skate Wheel Conveyor



Part 1: Inclined Belt Conveyor



Technical Parameters

Part-1: Inclined Belt Conveyor

1. Belt Specs: W=600, T=5mm, rough top PVC belt
2. Adjustable Speed: 10-20m/min, forward & reverse
3. Adjustable Height: 700-2500mm
4. Load Capacity: 50kg/m
5. Lift Motor: 2.2kw; Belt Motor: 1.5kw
6. Power Supply: 380V, 3-PH, 50Hz or 220V, 1-PH, 50Hz
7. Packing Size: L4700*W950*H700, 3.13CBM, G.W.: 680KGS

Part-2: 6m Flexible Gravity Skate Wheel Conveyor

1. Effective Width: 600mm
2. Adjustable Height: 700-1000mm
3. Load Capacity: 40kg/m
4. Wheels Options: ϕ 48mm plastic wheels or ϕ 50mm steel wheels
4. Minimum carton length when full open: 280mm
5. Packing Size: L2400*W750*H500, 0.9CBM, G.W.: 140KGS

| | | | | | | | | |
|-----------------|----|----|-------|----------------|-------|------------------------|-------|--|
| 材料 | | | | Yifan Conveyor | | | | |
| 标记 | 张数 | 分区 | 更改文件号 | 签名 | 年、月、日 | Truck Loading Conveyor | | |
| 设计 | | 日期 | 标准化 | | | 比例 | 重量/Kg | |
| 审核 | | 日期 | | | | 共 | 重量 | |
| 工艺 | | 日期 | | | | 张 | 数量 | |
| | | | | | | 第 | 张 | |
| Model: TLC-G600 | | | | | | | | |