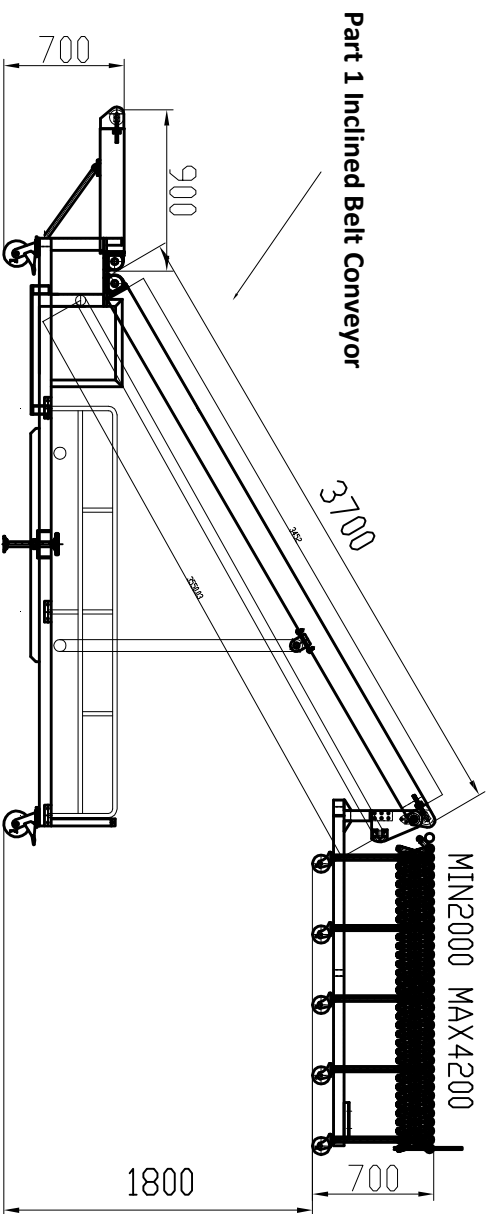
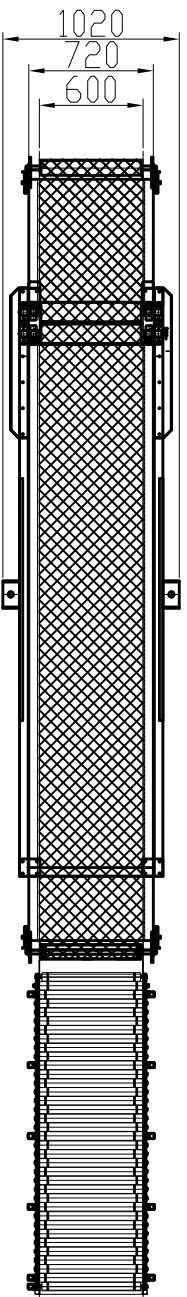
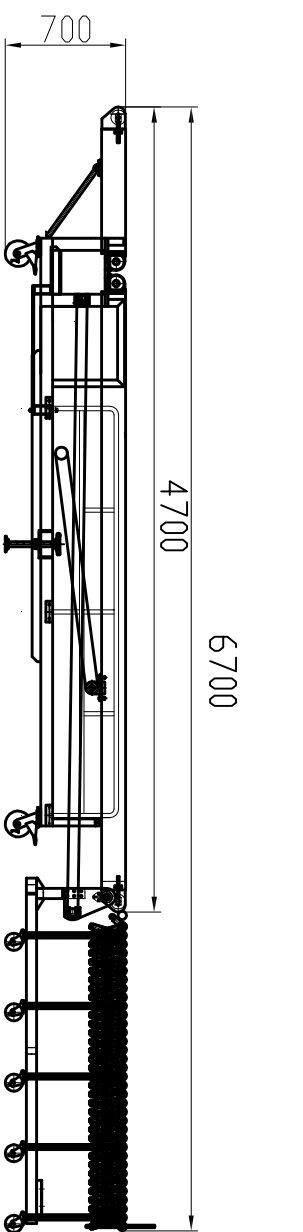


Part 2 Flexible Powered Roller Conveyor



Part 1 Inclined Belt Conveyor



Part 2: Flexible Powered Roller Conveyor

L4200*W600*H700/1000mm

1. Rollers: $\Phi 50 \times T 1.5 \times L 450$ mm galvanized steel grooved rollers
2. O-ring Belt: $\Phi 5$ mm high quality PU belt
3. Castors: 4" high quality swivel PU casters with brakes
4. Side Links: T=2mm with strengthened rib and reinforcing post channels
5. Adjustable Legs: $30 \times 30 \times 2$ mm galvanized steel tubes
6. Adjustable Speed: 10-18m/min, two way
7. Motor Power: 50w per meter, total 350w
8. Voltage: 380V, 3-PH, 50Hz or 220V, 1-PH, 50Hz
9. Load Capacity: 40kg/m
10. Control Panel: Forward/Stop/Reverse, Emergency Stop
11. When rollers fully opened, caron length should be more than 280mm

Technical Parameters

Part 1: Inclined Belt Conveyor

1. Belt Specs: W=600mm, T=5mm, rough top PVC belt
2. Adjustable Speed: 10-22m/min, forward & reverse
3. Adjustable Height: 700-2500mm
4. Load Capacity: 50kg/m
5. Belt Driven Motor: 1.5kw, Conveyor Lift Motor: 2.2kw
6. Power Supply: 380V, 3-PH, 50Hz or 220V, 1-PH, 50Hz
7. Casters: $\Phi 125$ mm heavy duty lockable swivel PU casters
8. Frame Construction: carbon steel, powder coated

YIFAN CONVEYOR		Truck Loading Conveyor
TLC-P600		